



**Cambridge Assessment
Admissions Testing**



**NAZARBAYEV
UNIVERSITY**

Foundation Year Program

Entrance Tests

MATHEMATICS

SAMPLE QUESTIONS WITH SOLUTIONS

For

NUFYP SET 2021

Question 1

Which one of the following is a simplification of

$$y^2\sqrt{x}\left(\frac{2x^{\frac{3}{2}}}{y^{\frac{1}{2}}}\right)^3$$

- A** $2x^5y^{\frac{1}{2}}$
- B** $8x^5y^{\frac{3}{2}}$
- C** $8x^{\frac{9}{2}}y^{\frac{1}{2}}$
- D** $2x^5y^{\frac{3}{2}}$
- E** $8x^5y^{\frac{1}{2}}$

Explanation 1

If we expand the contents of the brackets and rewrite \sqrt{x} as an exponent, we get:

$$y^2 \sqrt{x} \left(\frac{2x^{\frac{3}{2}}}{\frac{1}{y^2}} \right)^3 = y^2 x^{\frac{1}{2}} \times \frac{\left(2x^{\frac{3}{2}} \right)^3}{\left(\frac{1}{y^2} \right)^3}$$

By the laws of indices:

$$= y^2 x^{\frac{1}{2}} \times \frac{2^3 x^{\frac{3}{2} \times 3}}{y^{\frac{1}{2} \times 3}} = y^2 x^{\frac{1}{2}} \times \frac{8x^{\frac{9}{2}}}{y^{\frac{3}{2}}} = \frac{8x^{\frac{1}{2} + \frac{9}{2}} y^2}{y^{\frac{3}{2}}} = 8x^5 y^2 \times y^{-\frac{3}{2}} = 8x^5 y^{2 - \frac{3}{2}} = 8x^5 y^{\frac{1}{2}}$$

So the answer is E.

Question 2

$PQRS$ is a square.

Sides PQ and RS are each increased in length by 40%.

Sides QR and PS are each decreased in length by 75%.

$PQRS$ has been transformed into a rectangle.

What is the percentage decrease in the area caused by the transformation?

- A** 10%
- B** 30%
- C** 35%
- D** 65%
- E** 70%
- F** 90%

Explanation 2

Call the sides of $PQRS$ x , so its area is $x \times x = x^2$

If PQ and RS increase in length by 40%, their new lengths are 140% of their original length, and so could be written as $1.4x$

If QR and PS decrease in length by 75%, their new lengths are 25% of their original length, and so could be written as $0.25x$

Therefore, the new area can be written as:

$$0.25x \times 1.4x = \frac{1}{4}x \times \frac{7}{5}x = \frac{7}{20}x^2$$

The new area is $\frac{7}{20} \times 100 = \frac{70}{2} = 35\%$ of the original area.

This is a 65% decrease in size, and so the answer is D.

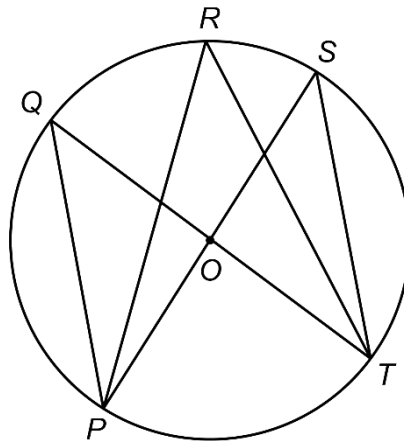
Question 3

P, Q, R, S and T are points on the circumference of a circle.

O is the centre of the circle.

Angle $POQ = (4x - 10)^\circ$

Angle $SOT = (3x + 20)^\circ$



[diagram not to scale]

What is the size of angle PRT ?

- A 25°
- B 30°
- C 35°
- D 55°
- E 70°
- F 75°
- G 110°
- H 140°

Explanation 3

Vertically opposite angles around a point are equal, so:

$$\begin{aligned}4x - 10 &= 3x + 20 \\ x &= 30\end{aligned}$$

Therefore angle $POQ = 4 \times 30 - 10 = 120 - 10 = 110$

Angles on a straight line sum 180° , so $QOS = 180 - 110 = 70$

A circle theorem says that angles subtended at the centre (in this case, POT) are twice the angle subtended at the circumference (in this case, PRT). That is,

$$PRT = \frac{70}{2} = 35$$

And the answer is C.

Question 4

Consider the simultaneous equations:

$$3x = y + 3$$

$$4^{x+1} = \frac{16^{y+1}}{8^{y+3}}$$

What is the value of $x - y$?

- A** -17
- B** -11
- C** -5
- D** -3
- E** 3
- F** 5
- G** 11
- H** 17

Explanation 4

We can rearrange $3x = y + 3$ to make y the subject: $y = 3x - 3$

Call this equation (1).

In the second equation, write everything as a power of 2:

$$4^{x+1} = \frac{16^{y+1}}{8^{y+3}}$$
$$(2^2)^{x+1} = \frac{(2^4)^{y+1}}{(2^3)^{y+3}}$$

Expanding these brackets:

$$2^{2x+2} = \frac{2^{4y+4}}{2^{3y+9}} = 2^{(4y+4)-(3y+9)} = 2^{y-5}$$

Therefore,

$$2x + 2 = y - 5$$
$$y = 2x + 7$$

Call this equation (2).

So we now have two simpler equations:

$$y = 3x - 3 \quad (1)$$
$$y = 2x + 7 \quad (2)$$

Therefore, substituting (1) into (2) we get:

$$3x - 3 = 2x + 7$$
$$x = 10$$

Since $y = 3x - 3 = (3 \times 10) - 3 = 30 - 3 = 27$

Therefore $x - y = 10 - 27 = -17$ and the answer is A.

Question 5

A chemist needs to mix together two chemicals, P and Q , in the volume ratio $5 : 2$

The chemist has two mixtures, X and Y :

- Mixture X contains P and Q in the volume ratio $3 : 2$
- Mixture Y contains P and Q in the volume ratio $4 : 1$

The chemist combines mixtures X and Y in order to achieve the required volume ratio of P and Q .

What is the resulting volume ratio of X to Y ?

- A** 3 : 4
- B** 4 : 7
- C** 5 : 9
- D** 13 : 16
- E** 14 : 17

Explanation 5

We are told:

- Mixture X contains P and Q in the volume ratio $3 : 2$
- Mixture Y contains P and Q in the volume ratio $4 : 1$

We will mix X and Y in the ratio $a : b$

We need to work out what $a : b$ is to make the final ratio of P to Q equal to $5 : 2$

Now, (a lots of X) + (b lots of Y) gives us a ratio of P to Q of $(3a + 4b) : (2a + b)$

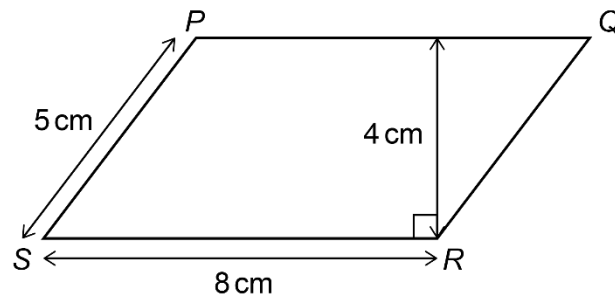
So, we need to find what ratio $a : b$ makes $(3a + 4b) : (2a + b)$ the same as the ratio $5 : 2$

This means we need $a : b$ such that $\frac{3a+4b}{5} = \frac{2a+b}{2}$

Rearranging this gives: $\frac{a}{b} = \frac{3}{4}$

Therefore the ratio is $3 : 4$ so the answer is A.

Question 6



[diagram not to scale]

This parallelogram PQRS undergoes an enlargement with scale factor $\frac{1}{4}$

What are the perimeter and area of the parallelogram after the enlargement?

	Perimeter after enlargement	Area after enlargement
A	6.5 cm	2 cm ²
B	6.5 cm	2.5 cm ²
C	6.5 cm	2.75 cm ²
D	6.5 cm	8 cm ²
E	8 cm	2 cm ²
F	8 cm	2.5 cm ²
G	8 cm	2.75 cm ²
H	8 cm	8 cm ²

Explanation 6

Initially,

$$\text{Perimeter of } PQRS = \text{sum of lengths of each side} = 8 + 5 + 8 + 5 = 26 \text{ cm}$$

$$\text{Area of } PQRS = \text{base} \times \text{height} = 8 \times 4 = 32 \text{ cm}^2$$

An enlargement of scale factor $\frac{1}{4}$ means that all lengths are divided by 4.

Therefore $RS = PQ$ becomes 2, $PS = QR$ becomes $\frac{5}{4}$ and the height becomes 1.

Now,

$$\text{Perimeter of } PQRS = \text{sum of lengths of each side} = 2 + \frac{5}{4} + 2 + \frac{5}{4} = 4 + \frac{5}{2} = 4 + 2.5 = 6.5 \text{ cm}$$

$$\text{Area of } PQRS = \text{base} \times \text{height} = 2 \times 1 = 2 \text{ cm}^2$$

Therefore the perimeter is 6.5 cm and the area is 2 cm² so the answer is A.

Question 7

P is inversely proportional to the square root of Q .

$$P = 2 \text{ when } Q = 9$$

R is inversely proportional to Q .

$$R = 4 \text{ when } Q = 3$$

Which one of the following is a correct equation for R in terms of P ?

- A** $R = \frac{P}{3}$
- B** $R = \frac{2P}{3}$
- C** $R = \frac{P^2}{3}$
- D** $R = 2P^2$
- E** $R = \frac{16}{3P^2}$
- F** $R = \frac{48}{P^2}$
- G** $R = 3P^2$

Explanation 7

If P is inversely proportional to the square root of Q , then we can write this as $P = \frac{k_1}{\sqrt{Q}}$ for some unknown constant k_1

When $P = 2$, $Q = 9$ so we can use this to find out what k_1 is:

$$\begin{aligned}2 &= \frac{k_1}{\sqrt{9}} \\2 &= \frac{k_1}{3} \\k_1 &= 2 \times 3 = 6\end{aligned}$$

Therefore $P = \frac{6}{\sqrt{Q}}$

If R is inversely proportional to Q , then we can write this as $R = \frac{k_2}{Q}$ for some other constant k_2

When $R = 4$, $Q = 3$ so we can find out what k_2 is:

$$\begin{aligned}4 &= \frac{k_2}{3} \\k_2 &= 4 \times 3 = 12\end{aligned}$$

Therefore $R = \frac{12}{Q}$

We want R in terms of P , so we can rearrange the formula for P to get:

$$\begin{aligned}P &= \frac{6}{\sqrt{Q}} \\ \sqrt{Q} &= \frac{6}{P} \\ Q &= \frac{6^2}{P^2} = \frac{36}{P^2}\end{aligned}$$

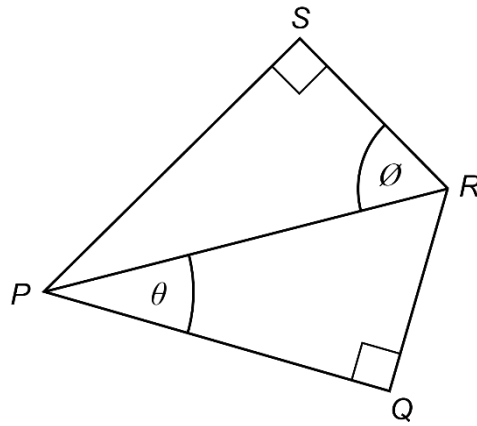
Then, using the formula for R we get:

$$R = 12 \div \frac{36}{P^2} = \frac{12P^2}{36} = \frac{P^2}{3}$$

And the answer is C.

Question 8

Two right-angled triangles are joined together to make a quadrilateral $PQRS$, as shown in the diagram.



[diagram not to scale]

$$\tan\theta = \frac{3}{4}$$

$$\sin\phi = \frac{7}{9}$$

Find the ratio of length PQ : length PS

- A** 4 : 7
- B** 28 : 45
- C** 20 : 63
- D** 27 : 28
- E** 27 : 35
- F** 12 : 7
- G** 36 : 35

Explanation 8

Using trigonometric identities, we can work out that:

$$\tan \theta = \frac{3}{4} = \frac{QR}{PQ}$$

And

$$\sin \phi = \frac{7}{9} = \frac{PS}{PR}$$

That is, the lengths of QR and PQ are some multiple x of 3 and 4, respectively.

Similarly, the lengths of PS and PR are some multiples y of 7 and 9, respectively.

Using Pythagoras, we can calculate PR :

$$(PR)^2 = (4x)^2 + (3x)^2 = 16x^2 + 9x^2 = 25x^2$$

$$PR = \sqrt{25x^2} = 5x$$

We now have $PR = 5x = 9y$ so $y = \frac{5}{9}x$

We want the ratio of the length of PQ : length of PS so:

$$4x:7y$$

$$4x:7\left(\frac{5}{9}x\right)$$

$$4x:\frac{35}{9}x$$

$$36x:35x$$

$$36:35$$

And the answer is G.

The Nazarbayev University Foundation Year Program entrance test was developed in collaboration with Cambridge Assessment Admissions Testing, part of the University of Cambridge (2020-2021).

The Nazarbayev University Foundation Year Program entrance test ('NUFYP test') is owned by Nazarbayev University and Cambridge Assessment Admissions Testing; the NUFYP test structure is owned by Nazarbayev University; the individual test items are owned by Cambridge Assessment Admissions Testing and licensed to Nazarbayev University in accordance with the terms and conditions of the licence of use granted by Cambridge Assessment Admissions Testing. Any use of the NUFYP test must be in accordance with the instructions of Nazarbayev University